



Model No.	VE226120MR
Ballast Type	Electronic
Family	Stratus
Input Voltage	120V
Lamp Operation	Parallel
Starting Method	Program Start

PRODUCT SPECIFICATIONS

ELECTRONIC BALLAST

Lamp Type	No. of Lamps	Input Voltage (V)	Input Current (A)	Input Power (W)	Power Factor	MAX THD (%)	Ballast Factor	Min. Starting Temp. (F)	Lamp Current Crest Factor	B.E.F.
CFQ26W/G24q	2	120	0.68	45	0.50	150	0.88	0	1.7	1.96
CFTR26W/GX24q	2	120	0.68	45	0.50	150	0.88	0	1.7	1.96
CFQ26W/G24q	1	120	0.50	26	0.50	150	0.90	0	1.7	1.96
CFTR26W/GX24q	1	120	0.50	26	0.50	150	0.90	0	1.7	1.96

Performance:

- Meets ANSI Standard C82. 11-2005
- Meets ANSI Standard C62. 41-2002
- Meets FCC Part 18

Safety:

- No PCB's
- UL and CUL Listed (Class P, Type 1 Outdoor)

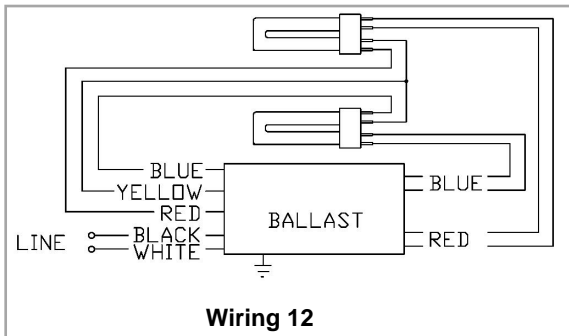
Application:

- Remote Mounting: 18ft. max. Lead length, 18AWG
- Maximum Ambient Temperature: 105F
- Sound Rated: A

Physical Parameters

Enclosure		Lead Length	
	in.		in.(+/-1.0)
Length	6.00In	Black	
Width	1.8In	White	
Height	1.1In	Red	
Mounting	5.75In	Blue	
Weight		Yellow	

Wiring Diagram



Specification data is based on tests performed in a controlled environment and represents relative performance. Actual performance can vary depending on operating conditions. Application and performance data subject to change without notice. All specifications are nominal unless noted otherwise.





Wiring 12